



NuTone® LunAURA™ Collection

QTNLEDA Fan/Light

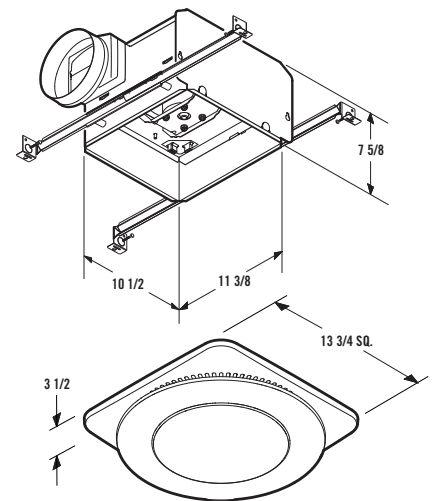
Bring ultra quiet ventilation and dramatic LED lighting to any room.

NuTone LunAURA fans offer the benefits of quiet, powerful, ENERGY STAR® qualified ventilation with a beautiful soft blue LED night-light. Now you can create a calm, serene, spa-like atmosphere in your bathroom at the touch of a switch.

- ENERGY STAR® qualified
- Bright 36-watt fluorescent main lighting (two 18-watt GU24 bulbs included)
- 6" ducting for superior performance
- Blue LED night-light
- HVI certified
- Motor engineered for continuous operation
- UL listed for user over bathtubs or showers when connected to a GFCI protected branch circuit
- Fits 2" x 8" ceiling construction

SPECIFICATIONS

MODEL	DUCTING	CFM at 0.1" SP	CFM at 0.25" SP	L/s at 0.1" SP	SONES at 0.1" SP	Watts at 0.1" SP
QTNLEDA and QTNLEDB	6"	110	90	51.9	0.7	34.9
	6" to 4" reducer	90	72	42.5	0.9	34.5



Dimensions shown are in inches.

QTNLEDB Fan/Light

Rotate the glass plate 45° to create a jewel-like diamond appearance.



875688