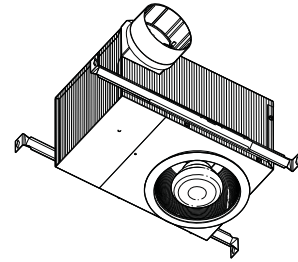


MODEL 744NTC RECESSED FAN/LIGHT



Add lighting and ventilation to your room - with the look of an ordinary recessed light.

FEATURES

TRIM RING BAFFLE:

- Polymeric construction with matte white finish
- Recessed styling, mounts flush with finished ceiling
- Accepts any one of these 75 W bulbs (bulb not included): R30, BR30, PAR30L, or PAR30LN

BLOWER:

- Plug-in, permanently lubricated motor
- Dynamically balanced centrifugal blower wheel for quiet, efficient performance
- Low RPM for quiet operation

HOUSING:

- Rugged, 26 gage, galvanized steel construction
- 4" (102 mm) round, polymeric duct connector with 2" (51 mm) tapered sleeve and no metallic clatter
- Adjustable mounting brackets span up to 24" (610 mm)

U.L. Listed for use over bathtubs and showers when connected to a GFCI protected branch circuit and used with a PAR30L or PAR30LN bulb.

U.L. Listed for use in insulated ceilings (Type I.C.)

SPECIFICATIONS

VOLTS	AMPS	WATTS*	SONES	CFM (L/s)	ROUND DUCT
120	1.2	125**	1.5	70 (33)	4" (102 mm)

* Total Connected Load

** BR30-size bulb.



HVI-2100 CERTIFIED RATINGS comply with new testing technologies and procedures prescribed by the Home Ventilating Institute, for off-the-shelf products, as they are available to consumers. Product performance is rated at 0.1 in. (2.54 mm) static pressure, based on tests conducted in AMCA's state-of-the-art test laboratory. Sones are a measure of humanly-perceived loudness, based on laboratory measurements.

TYPICAL SPECIFICATION

Fan/Light shall be NuTone Model 744NTC.

Fan/Light shall have corrosion resistant steel housing and adjustable mounting brackets.

Motor assembly to be removable and permanently lubricated.

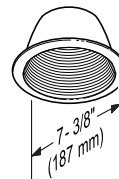
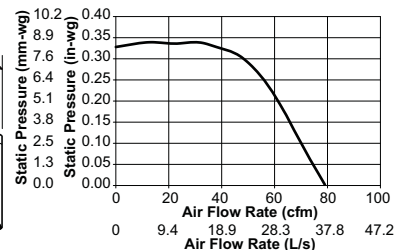
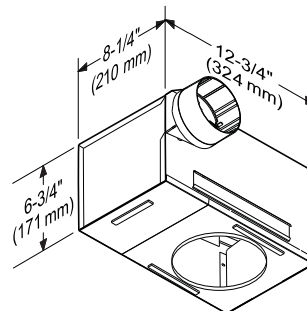
Non-metallic damper/duct connector to be included.

Fan and Light to operate separately (or in combination).

Fan/Light must use an R30/BR30 Max. 75 W bulb (PAR30L or PAR30LN Max. 75W bulb for use over bathtub and shower) - recessed into ceiling.

Air delivery shall be no less than 70 CFM (33 L/s) and sound level no greater than 1.5 sones. All air and sound ratings shall be certified by HVI.

Fan/Light must be U.L. and cU.L. listed for use in insulated ceilings (Type I.C.) and for use over bathtubs and showers when connected to a GFCI protected branch circuit and used with a PAR30L or PAR30LN bulb.



Broan-NuTone Canada; Mississauga, Ontario www.nutone.ca 877-896-1119

REFERENCE	QTY.	REMARKS	Project
			Location
			Architect
			Engineer
			Contractor
			Submitted by
			Date