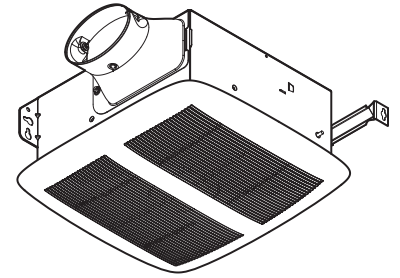


# MODEL LPN80 LO PROFILE VENTILATION FAN



### SPECIFICATIONS

#### BLOWER:

- Plug-in, permanently lubricated motor - engineered for continuous operation
- Dynamically balanced centrifugal blower wheel for quiet, efficient performance
- Low RPM for quiet operation

#### HOUSING:

- Rugged, galvanized steel construction
- Metal, 4" oval duct connector with no metallic clatter
- Includes 4" oval to 3" round duct reducer
- 4" height allows for 2" x 4" wall or ceiling installation
- Sturdy, easy, mounting directly to stud or joist
- Can be mounted in flat ceilings, sloped ceilings up to 12/12 pitch, and walls

#### GRILLE:

- Polymeric construction
- Innovative design - the result of extensive research with designers and consumers

#### CONTROLS (Purchase separately):

Refer to NuTone's catalog for a complete line of accessories to effectively adapt this fan to your construction requirements.

U.L. Listed for use over bathtubs and showers when connected to a GFCI protected branch circuit (ceiling mount only).

1-Year Warranty

### TYPICAL SPECIFICATIONS

Fan shall be NuTone Model LPN80.

Fan shall have corrosion resistant galvanized steel housing. It shall be ducted to a roof or wall cap using 4" or 3" round ductwork.

Blower assembly shall be removable, have a centrifugal-type blower wheel and a permanently lubricated motor designed for continuous operation.

Metal damper/duct connector shall be included.

Air delivery shall be no less than 80 CFM and sound level no greater than 1.0 Sone. All air and sound ratings shall be certified by HVI.

Fan shall be ENERGY STAR® qualified and have an energy efficient permanent split capacitor motor.

Fan shall be U.L. Listed for use over bathtubs and showers when connected to a GFCI protected branch circuit (ceiling mount only).



Broan-NuTone Canada ULC; Mississauga, Ontario www.nutone.ca 877-896-1119

REFERENCE	QTY.	REMARKS	Project
			Location
			Architect
			Engineer
			Contractor
			Submitted by <span style="float: right;">Date</span>

# PERFORMANCE RATINGS

## MODEL LPN80 FAN

### HVI PERFORMANCE

4" DUCT				3" DUCT			
0.1 Ps - STATIC PRESSURE (IN. H <sub>2</sub> O)			0.25 Ps	0.1 Ps - STATIC PRESSURE (IN. H <sub>2</sub> O)			0.25 Ps
AIRFLOW (CFM)	SOUND (SONE)	POWER (WATTS)	AIRFLOW (CFM)	AIRFLOW (CFM)	SOUND (SONES)	POWER (WATTS)	AIRFLOW (CFM)
80	1.0	25.7	61	70	1.3	25.7	55.3



HVI-2100 CERTIFIED RATINGS comply with new testing technologies and procedures prescribed by the Home Ventilating Institute, for off-the-shelf products, as they are available to consumers. Product performance is rated at 0.1 in. static pressure, based on tests conducted in a state-of-the-art test laboratory. Sones are a measure of humanly-perceived loudness, based on laboratory measurements.

### AMPS

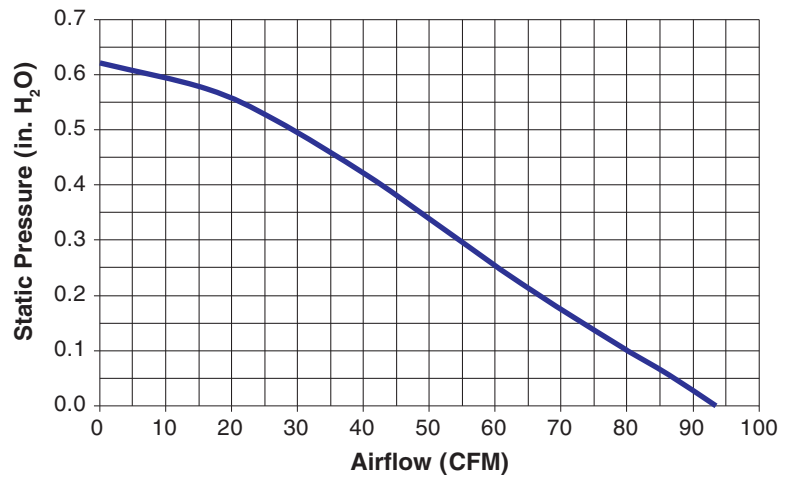
MODEL	AMPS
LPN80	0.3

### WEIGHT

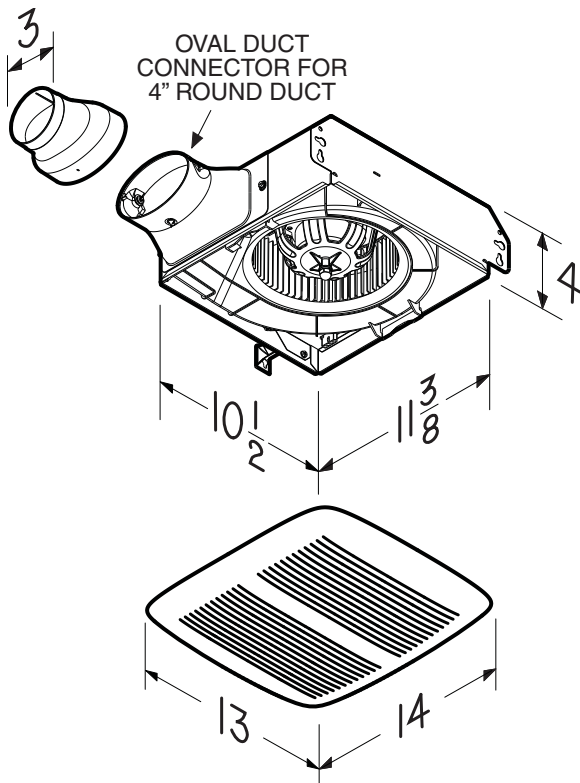
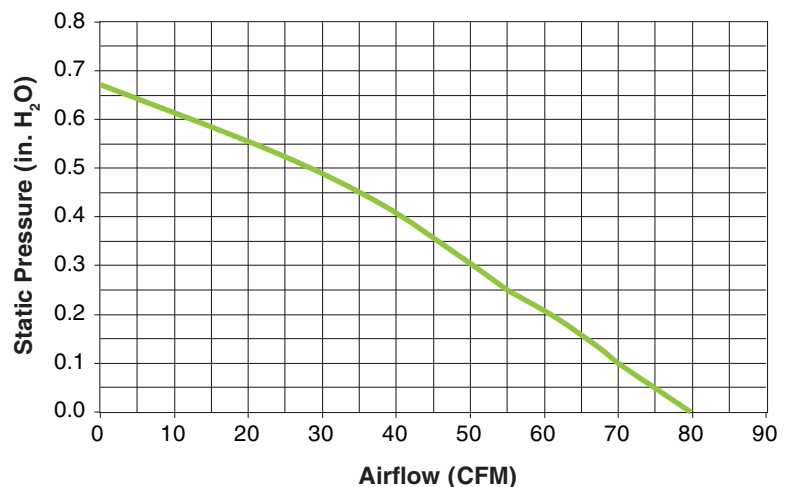
MODEL	SHIPPING WEIGHT
LPN80	8.8 LB

### AIR FLOW PERFORMANCE

4" DUCT



3" DUCT



NOTE: DIMENSIONS SHOWN ARE IN INCHES.



Broan-NuTone Canada ULC; Mississauga, Ontario www.nutone.ca 877 896-1119