

In-Line Fans

MODELS ILF120, ILF130 & ILF250

DESCRIPTION

- Remotely mounted fan reduces noise in occupied areas
- Use with adjustable inlet grilles to control flow for any situation
- Remote mounting provides flexibility in system design
- High quality external rotor motor features long life, efficiency and quiet operation
- Easy mounting to rafters or joists
- Backward inclined centrifugal fan for strong air delivery with minimal noise
- ILF130 and ILF250 models are ENERGY STAR® qualified

DESIGN FEATURES

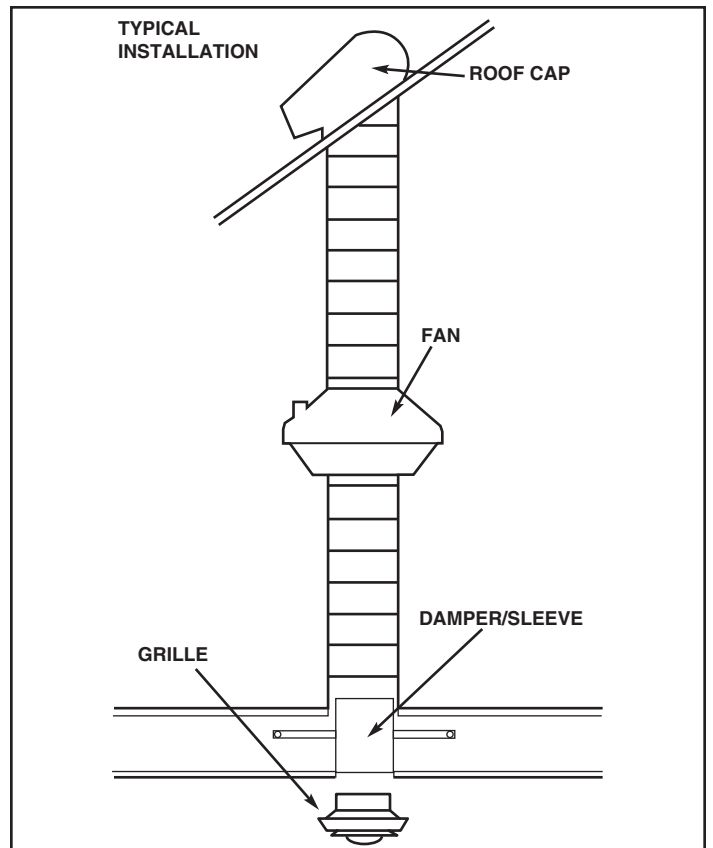
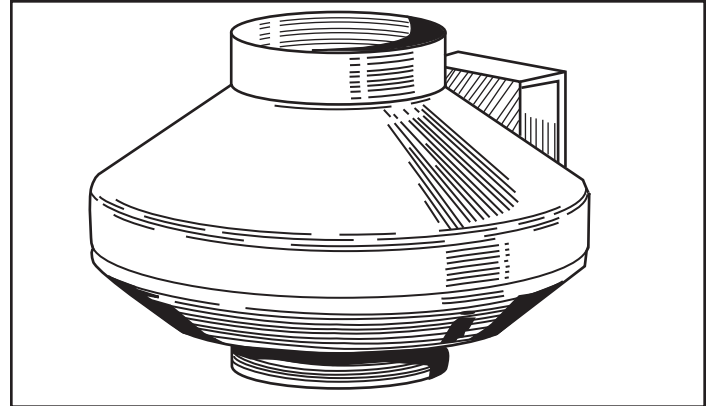
Air delivery:	ILF120: 110 CFM at .2" S.P.
	ILF130: 130 CFM at .2" S.P.
	ILF250: 250 CFM at .2" S.P.
Sound Level:	N/A - unit is remotely mounted
Housing:	Durable polycarbonate plastic
Motor:	External rotor, ball bearing, 115 volts AC, 60 Hz
	ILF120 0.2 amps
	ILF130 0.2 amps
	ILF250 0.6 amps
Blower Wheel:	Backward inclined centrifugal
Duct Size:	4" diameter ILF120
	5" diameter ILF130
	6" diameter ILF250

INSTALLATION

- Not for use in cooking areas
- Not for use in wet locations
- Suitable for use over tubs and showers when connected to a GFCI-protected branch circuit
- Suitable for use with solid state speed controls
- Housing mounts directly to bracket. Bracket mounts to rafter or joist
- Complete installation instructions included with each unit
- Switches and accessories available separately

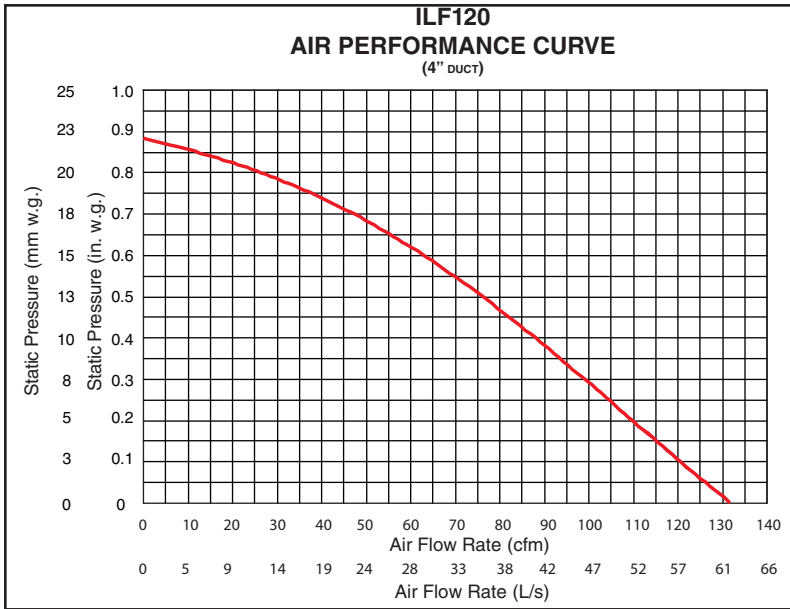
ARCHITECT'S SPECIFICATIONS

Exhaust fan shall be Model ILF120, ILF130 or ILF250 as manufactured by NuTone according to listed specifications.

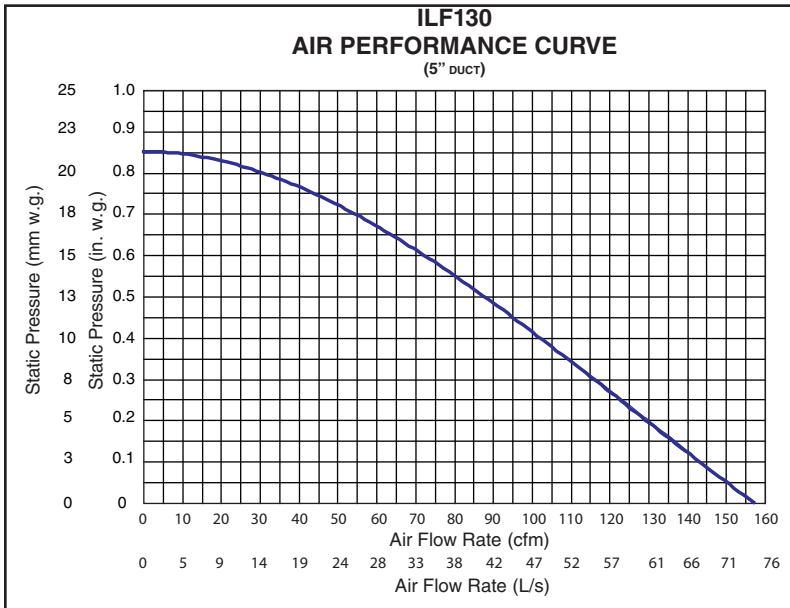


Broan-NuTone LLC Hartford, Wisconsin www.nutone.com 1-888-336-3948
 Broan-NuTone Canada Inc. Mississauga, Ontario www.nutone.ca 1-877-896-1119

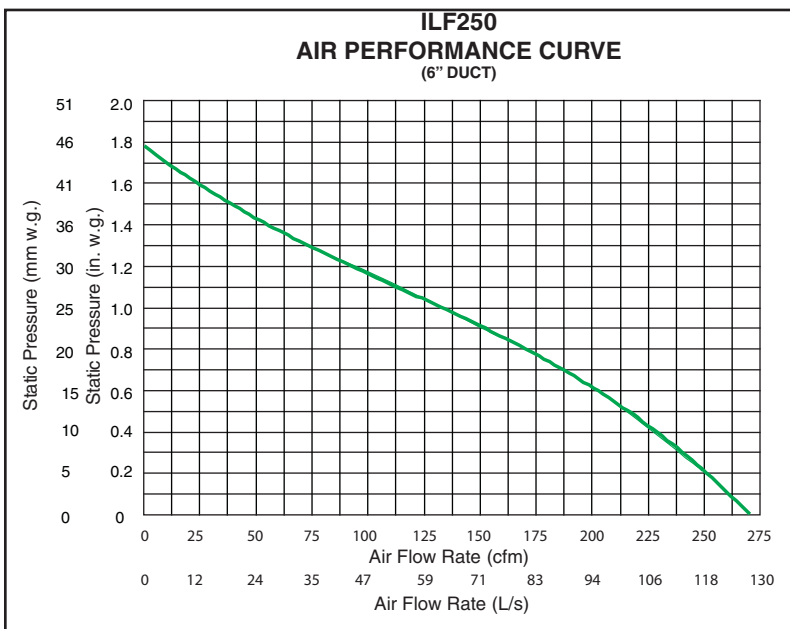
REFERENCE	QTY.	REMARKS	Project
			Location
			Architect
			Engineer
			Contractor
			Submitted by Date



STATIC PRESSURE INCHES OF WATER	0.2
CFM	110



STATIC PRESSURE INCHES OF WATER	0.2
CFM	130



STATIC PRESSURE INCHES OF WATER	0.2
CFM	250

Models ILF130
and ILF250



HVI-2100 CERTIFIED RATINGS comply with new testing technologies and procedures prescribed by the Home Ventilating Institute, for off-the-shelf products, as they are available to consumers. Product performance is rated at 0.2 in. static pressure, based on tests conducted in a state-of-the-art test laboratory.