

## DESCRIPTION

### BLOWER:

- Plug-in, permanently lubricated motor - engineered for continuous operation
- Dynamically balanced centrifugal blower wheel for quiet, efficient performance
- Low RPM for quiet operation
- Airflow-smoothing baffles reduce turbulence

### HOUSING:

- Rugged, 26-gauge galvanized steel construction
- 6" round duct connector with tapered sleeve and no metallic clatter
- 6" round to 4" round duct reducer included - allows connection of 4" round ductwork
- 7-5/8" height allows for 2" x 8" (nominal) joist installations
- Sturdy, easy, four-point mounting directly to joist
- Includes unique spacer (patented) for mounting to engineered "I" joists
- Can be mounted in ceilings up to 12/12 pitch

### GRILLE:

- Polymeric construction
- Innovative design - the result of extensive research with designers and consumers

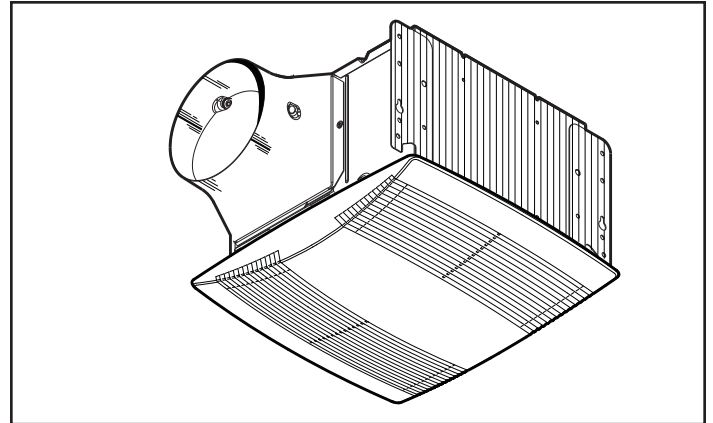
### CONTROLS (Purchase separately):

- Refer to NuTone's catalog for a complete line of accessories to effectively adapt this fan to your construction requirements.

cULus listed for use over bathtubs and showers when connected to a GFCI protected branch circuit (ceiling mount only).

3-Year Warranty

# Model QTN130EC Fan



## ARCHITECT'S SPECIFICATION

- Fan shall be NuTone Model QTN130EC.
- Fan shall have corrosion resistant galvanized steel housing with four-point mounting capability. It shall be ducted to a roof or wall cap using 6" round or 4" round ductwork.
- Blower assembly shall be removable, have a centrifugal-type blower wheel, a permanently lubricated motor designed for continuous operation.
- 6" round damper/duct connector and 6" round to 4" round duct reducer shall be included.
- Air delivery shall be no less than 130 CFM and sound level no greater than 1.5 sones when using 6" duct connector (130 CFM / 2.0 sones when using 6" round to 4" round duct reducer). All air and sound ratings shall be certified by HVI.
- Fan shall be Energy Star® qualified and have an energy efficient permanent split capacitor motor.
- Fan shall be cULus listed for use over bathtubs and showers when connected to a GFCI protected branch circuit.



Broan-NuTone Canada ULC, Mississauga, Ontario www.nutone.ca 1-888-882-7626

REFERENCE	QTY.	REMARKS	Project
			Location
			Architect
			Engineer
			Contractor
			Submitted by
			Date

# PERFORMANCE RATINGS

## MODEL QTN130EC FAN

### HVI PERFORMANCE

Model	Static Pressure (Ps)	CFM	Sones	Fan Watts	Duct
QTN130EC	0.10	130	1.5	37.1	with 6" round duct connector
	0.25	114			
	0.10	130	2.0	37.1	with 6" round to 4" round duct reducer
	0.25	114			



HVI-2100 CERTIFIED RATINGS comply with new testing technologies and procedures prescribed by the Home Ventilating Institute, for off-the-shelf products, as they are available to consumers. Product performance is rated at 0.1 in. static pressure, based on tests conducted in a state-of-the-art test laboratory. Sones are a measure of humanly-perceived loudness, based on laboratory measurements.

### AMPS

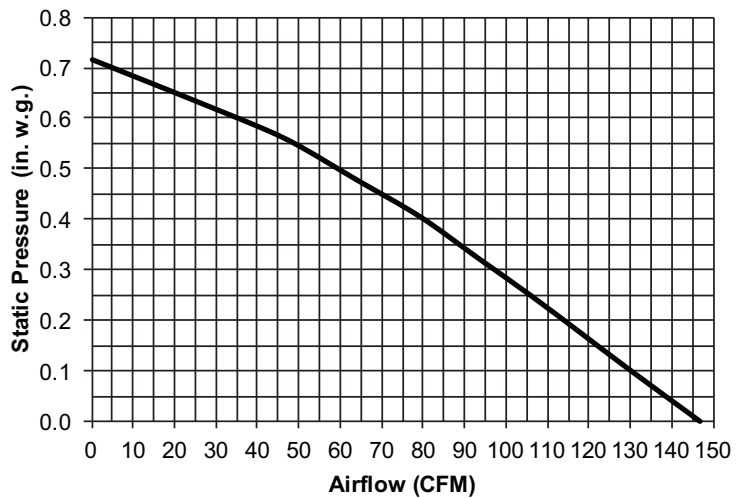
Model	Amps
QTN130EC	0.7

### WEIGHT

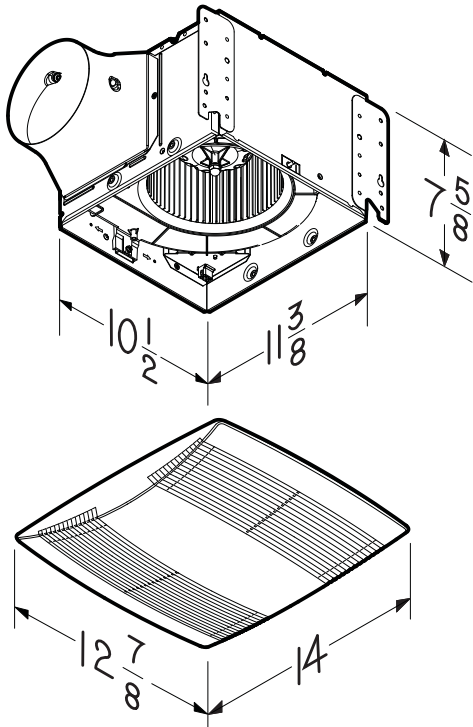
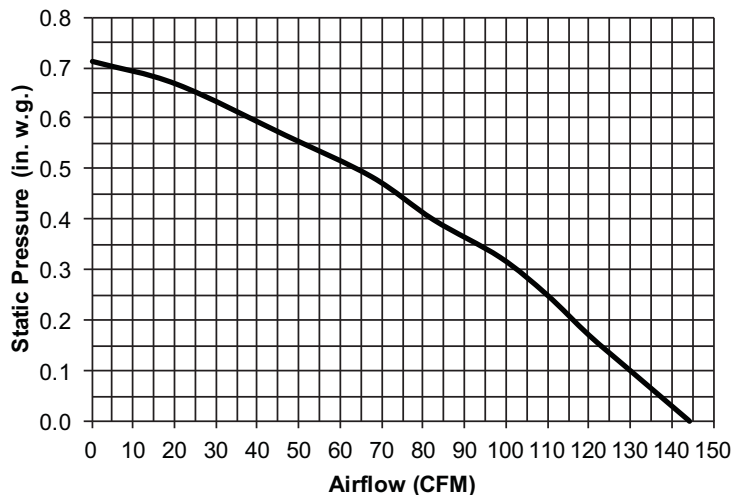
Model	Shipping Weight
QTN130EC	12.8 lb.

### AIR FLOW PERFORMANCE

MODEL QTN130EC - 6" DUCT



MODEL QTN130EC - 4" DUCT



NOTE: Dimensions shown are in inches.